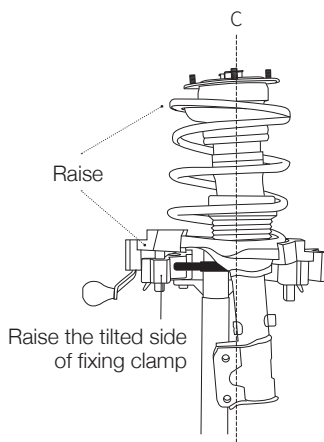


# MACPHERSON STRUT SPRING COMPRESSOR SK-3500



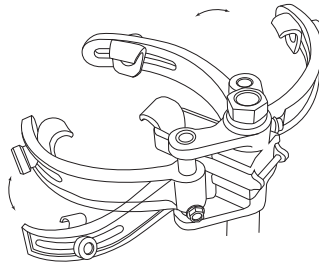
## 1

Place the strut on the adjustable clamp. Make sure that the strut is leveled (not tilted) and centered by adjusting the clamp up and down. When the strut is leveled and centered, secure the strut by turning the clamp adjust handle. Do not over tighten the clamp.



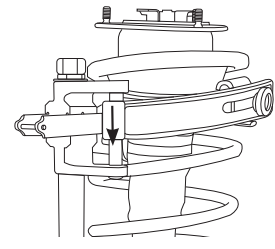
## 2

Slide in the middle hook and turn the handle lever clockwise to lower the gear down until the hook grabs the spring.



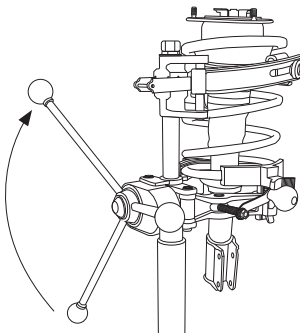
## 3

Two adjustable arms with hooks need to grab the spring firmly. The adjustable arms can go up and down and the hooks can slide sideways. Make sure to pull up the adjustable arms all the way up before pushing down the arm to grab the spring.



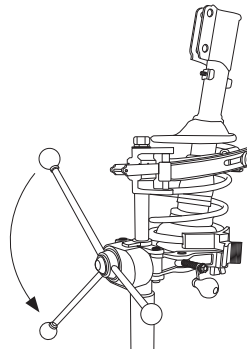
## 4

Make sure that the three hooks form a triangle with equal pressure on the spring. Turn the handle lever clockwise until the strut is loose. Unscrew the nut and replace the strut.



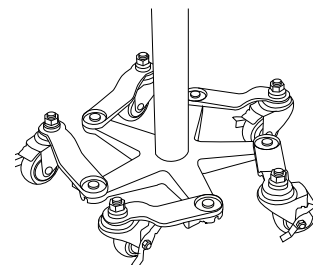
## 5

After replacing the strut and tightening the nut, turn the compressor handle counter clockwise to release the spring.



## 6

The spring compressor legs can be folded for storage and doesn't take up much space.



SK-3500 Strut Spring Compressor also can be compressed to an upside down position. The upside down position is regarded as one step compression compared to the upright position and is considered the easiest way to compress the spring without adjusting and releasing the spring when replacing the strut. SK-3500 Strut Spring Compressor can compress all types of struts regardless of size and shape quickly, easily and safely.